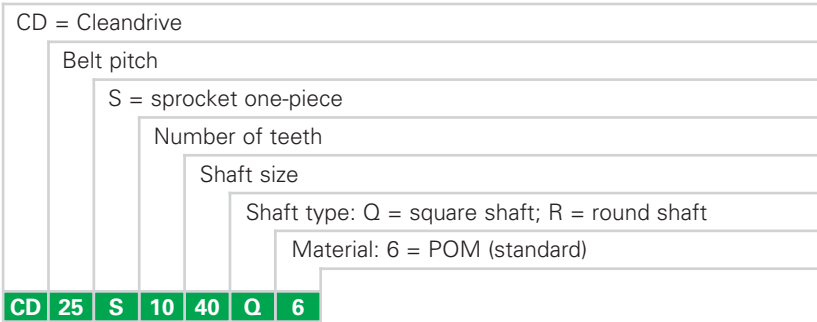


Habasit Cleandrive™ Sprockets - 1" Pitch Belting Sprocket Series CD25



Sprocket availability

Type	Number of teeth	Diam. of pitch $\varnothing d_p$		A_1		Hub width B_L		Square bore Q		Ø Round bore R	
		mm	inch	mm	inch	mm	inch	mm	inch	mm	inch
S-C3*	5	43.0	1.69	16.5	0.65	30	1.18	15	0.6	20	0.75
S-C3*	6	51.6	2.03	20.8	0.82	30	1.18	20	0.75	20	0.75
S-C3	7	60.1	2.37	25.1	0.99	30	1.18	25	1	30	1-3/16
S-C3	8	68.6	2.70	29.3	1.15	30	1.18	25	1	30	1-3/16
S-C3	10	85.7	3.37	37.9	1.49	30	1.18	25 / 40	1 / 1.5	30	1-3/16
S-C3	12	102.7	4.04	46.4	1.82	30	1.18	25 / 40	1 / 1.5	30	1-3/16
S-C3	14	119.8	4.72	54.9	2.16	30	1.18	40 / 60	1.5 / 2.5	30 / 50	1.5 / 2.5
S-C3	16	136.9	5.39	63.5	2.5	30	1.18	40 / 60	1.5 / 2.5	30 / 50	1.5 / 2.5
S-H3	8	68.6	2.70	29.3	1.15	30	1.18	15	0.5	15	0.5
S-H3	10	85.7	3.37	37.9	1.49	30	1.18	20	0.75	30	1-3/16
S-H3	14	119.8	4.72	54.9	2.16	30	1.18	40	1.5	30 / 50	1.5
S-H3	16	136.9	5.39	63.5	2.5	30	1.18	40	1.5	30 / 50	1.5 / 2.5
S-M2	12	102.7	4.04	46.4	1.82	30	1.18	40	1.5	30	-

S-C3*: Machined sprockets for idle shaft only

S-C3: Machined sprockets

S-H3: Machined HyCLEAN sprockets

S-M2: Molded HyCLEAN sprockets

Other sprocket and hub sizes on request.

Key ways for round bore shape follow European standards for metric sizes and US standards for imperial sizes. For detailed dimensions see table in the Design Guide.

The **S-M2** with round **30 mm** is without key way and is used as idle sprocket.

Other materials available on request.



Habasit Cleandrive™ series C3

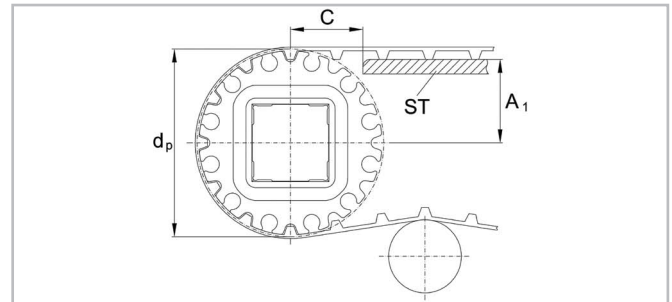
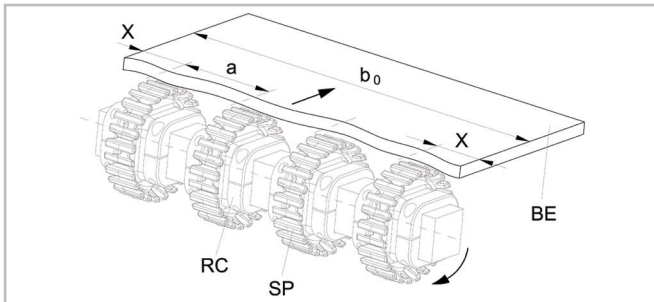


Habasit Cleandrive™ HyCLEAN series M2

Habasit Cleandrive™ Sprockets - 1" Pitch Belting Sprocket Series CD25



Sprocket arrangement



BE Belt
RC Retainer
SP Sprocket
b₀ belt width

The distance **C** between the sprocket axis and the slider support **ST** is minimal 28 mm (1.1").

Wearstrips

Between driving shaft and idling sprockets or rollers the belt is carried by a slider support furnished with longitudinal wear strips from UHMW Polyethylene or other suitable material.

Number of sprockets and wearstrips

For light loaded belts with adjusted utilization below 50% the sprockets can be placed further apart. For heavy loaded belts with adjusted utilization above 50% and/or application with scrapers the sprockets must be placed closer together with larger number of sprockets on the drive shaft.

The table below shows the number of sprockets including distances for typical belt widths **b₀**. To calculate the adjusted belt tensile force contact your Habasit representative.

Belt width b₀ [mm]	Number of sprockets				Edge distance x [mm]	Number of wear strips Carry way ¹⁾
	min. number of sprockets	Distance a [mm]	Number of sprockets for belt load > 50%	Distance a [mm]		
100	2	50	2	50	25	2
150	2	100	3	50	25	2
200	3	60	3	60	40	2
250	3	85	4	57	40	3
300	3	110	5	55	40	3
350	4	90	5	68	40	3
400	4	107	6	64	40	4
450	5	93	7	62	40	4
500	5	105	8	60	40	4
550	6	118	9	59	40	5
609	6	106	9	66	40	5

If the belt width is in-between the indicated width choose the number of sprockets from the nearest width. However adjust the distance **a** accordingly.

¹⁾ The required number of support is dependent on sprocket size and weight. The indicated number provides a distance of approx. 50 mm to 100 mm.

For wider belts, sprocket and wear strip placement on request.

Habasit Cleandrive™ Sprockets - 1" Pitch Belting

Sprocket Series CD25



Belt width b_0 [inch]	Number of sprockets				Edge distance x [inch]	Number of wear strips Carry way ¹⁾
	min. number of sprockets	Distance a [inch]	Number of sprockets for belt load > 50%	Distance a [inch]		
4	2	2.0	2	2.0	1	2
6	2	4.0	3	2.0	1	2
8	3	2.5	3	2.5	1.5	2
10	3	3.5	4	2.3	1.5	3
12	3	4.5	5	2.3	1.5	3
14	4	3.7	5	2.8	1.5	3
16	4	4.3	6	2.6	1.5	4
18	5	3.8	7	2.5	1.5	4
20	5	4.3	8	2.4	1.5	4
22	6	3.8	9	2.4	1.5	5
24	6	4.2	9	2.6	1.5	5

If the belt width is in-between the indicated width choose the number of sprockets from the nearest width. However adjust the distance a accordingly.

¹⁾ The required number of support is dependent on sprocket size and weight. The indicated number provides a distance of approx. 2" to 4".

For wider belts, sprocket and wear strip placement on request.

Disclaimer

Product Application Disclaimer (valid for ALL Habasit products and mentioned on all PDS)

This disclaimer is made by and on behalf of Habasit and its affiliated companies, directors, employees, agents and contractors (hereinafter collectively "HABASIT") with respect to the products referred to herein (the "Products"). SAFETY WARNINGS SHOULD BE READ CAREFULLY AND ANY RECOMMENDED SAFETY PRECAUTIONS BE FOLLOWED STRICTLY! Please refer to the Safety Warnings herein, in the Habasit catalogue as well as installation and operating manuals. All indications / information as to the application, use and performance of the Products are recommendations provided with due diligence and care, but no representations or warranties of any kind are made as to their completeness, accuracy or suitability for a particular purpose. The data provided herein are based on laboratory application with small-scale test equipment, running at standard conditions, and do not necessarily match product performance in industrial use. New knowledge and experience may lead to re-assessments and modifications within a short period of time and without prior notice.

EXCEPT AS EXPLICITLY WARRANTED BY HABASIT, WHICH WARRANTIES ARE EXCLUSIVE AND IN LIEU OF ALL OTHER WARRANTIES, EXPRESS OR IMPLIED, THE PRODUCTS ARE PROVIDED "AS IS". HABASIT DISCLAIMS ALL OTHER WARRANTIES, EITHER EXPRESS OR IMPLIED, INCLUDING, BUT NOT LIMITED TO, IMPLIED WARRANTIES OF MERCHANTABILITY, FITNESS FOR A PARTICULAR PURPOSE, NON-INFRINGEMENT, OR ARISING FROM A COURSE OF DEALING, USAGE, OR TRADE PRACTICE, ALL OF WHICH ARE HEREBY EXCLUDED TO THE EXTENT ALLOWED BY APPLICABLE LAW. BECAUSE CONDITIONS OF USE IN INDUSTRIAL APPLICATION ARE OUTSIDE OF HABASIT'S CONTROL, HABASIT DOES NOT ASSUME ANY LIABILITY CONCERNING THE SUITABILITY AND PROCESS ABILITY OF THE PRODUCTS, INCLUDING INDICATIONS ON PROCESS RESULTS AND OUTPUT.